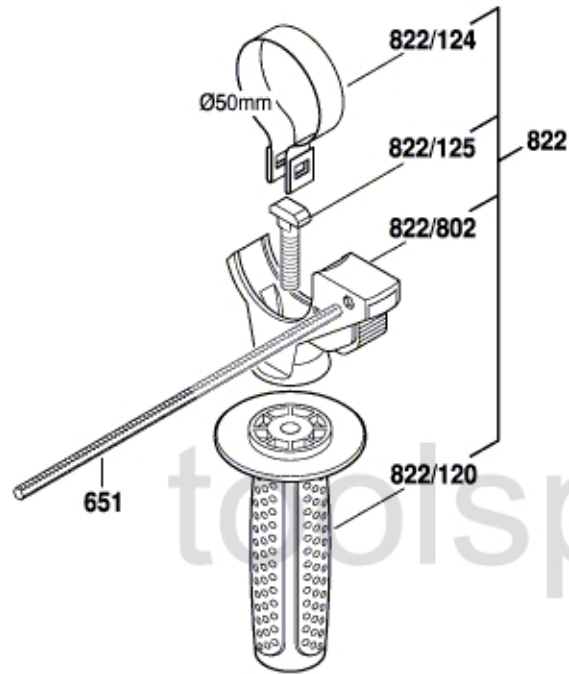


3 611 B5A 480

Issue } 14-04-16  
Stand }

**Fig./Abb. 2**



**892**

**893**

